

SNC-ER585H

Network Rapid Dome Camera - E Series

SONY
make.believe

Unitized Outdoor 1080p Full HD Rapid Dome Camera

- Powerful 30x optical zoom capability
- Excellent 1080p Full HD picture quality
- Operating temperature up to +65°C*1
- High-speed 360 degrees endless rotation
- Dynamic range of 86 dB (theoretical) achieved with DynaView™ technology
- IP66-rated waterproof and dust-tight feature
- IK10-rated vandal-resistant feature



KEY FEATURES

- 30x optical and total zoom ratio of 360x with 12x digital zoom
- Excellent 1080p Full HD picture quality at 30 fps (1920 x 1080 maximum resolution)
- The Exmor™ CMOS sensor realizes high-quality and low-noise images
- Three codecs (H.264, MPEG-4, JPEG) and dual-streaming capability
- Operating temperature up to +65°C*1
- High-speed 360 degrees endless rotation
- Above-the-horizon tilt - 15° tilt-up, total tilt range of 210°
- DynaView — Wide-D technology to handle various lighting conditions in a scene

Exmor™



Normal Shutter Speed



High Shutter Speed

DynaView



With Wide-D Technology
(simulated images)

* When using Wide-D technology, the maximum frame rate becomes 15 fps.

- IP66-rated waterproof and dust-tight feature for outdoor surveillance, or indoor where water ingress may pose an issue
- IK10-rated vandal-resistant feature to protect the camera from destructive behaviors
- True Day/Night function to switch to Day or Night mode depending on the light level
- DEPA™ Intelligent Video Analytics system can be set up with a DEPA-enabled recorder
- Image Stabilizer to minimize the effect of camera shake or vibration, avoiding blurry images
- SD memory card slot for an on-board recording capability*2*3
- Smartphone viewer for accessing the camera from a smartphone*4
- ONVIF (Open Network Video Interface Forum) Profile S conformance



*1 An operating temperature of up to +65°C applies when the camera is used for less than two hours a day; up to +60°C applies for a full day of operation.

*2 The on-board recording function cannot be used simultaneously with the intelligent motion detection function and the tamper alarm function.

*3 Data recorded on an SD memory card may be lost or damaged by data access during power-off, mechanical shock, memory card detachment, or other operations. Data loss or damage can also occur when a memory card reaches end of life, which varies according to operational conditions. No guarantee is given against damage (including passive damage).

*4 For details, please contact your local Sony office.

SPECIFICATIONS

| SNC-ER585H | |
|---|---|
| Camera | |
| Image Sensor | 1/2.8-type Exmor CMOS |
| Image Sensor (Number of Effective Pixels) | Approx. 3.27 Megapixels |
| Minimum Illumination (50 IRE) | Color: 1.7 lx (F1.6, shutter 1/30 s, AGC ON, 50 IRE) B/W: 0.3 lx (F1.6, shutter 1/30 s, AGC ON, Night Mode, 50 IRE) |
| Minimum Illumination (30 IRE) | Color: 1.2 lx (F1.6, shutter 1/30 s, AGC ON, 30 IRE) B/W: 0.18 lx (F1.6, shutter 1/30 s, AGC ON, Night Mode, 30 IRE) |
| Dynamic Range | Theoretically 86 dB with DynaView Technology |
| S/N Ratio | More than 50 dB (Gain 0 dB) |
| Gain | Auto/Manual (-3 dB to +28 dB) |
| Shutter Speed | 1/1 s to 1/10000 s |
| Sync System | Internal synchronization |
| Exposure Control | Full auto, Shutter priority, Iris priority, Manual |
| White Balance | Auto, Advanced Auto, ATW, Indoor, Outdoor, One-push, Manual, Sodium vapour lamp |
| Lens | Auto-focus Zoom Lens |
| Powered Zoom | Yes |
| Zoom Ratio | Optical zoom 30x, Digital zoom 12x, Total zoom 360x |
| Powered Focus | Yes |
| Horizontal Viewing Angle | 59.5° to 2.1° |
| Focal Length | f = 4.3 mm to 129.0 mm |
| F-Number | F1.6 to F4.7 |
| Minimum Object Distance | 300 mm (wide) to 1200 mm (tele) |
| Pan/Tilt Angle | 360° endless rotation/210° |
| Pan/Tilt Speed | 300°/s (max.)/300°/s (max.) |
| Preset Position | 256 |
| Tour | 5 |
| Camera Features | |
| Day/Night | Yes (True D/N) |
| Wide-D | Yes (DynaView) |
| Noise Reduction | Yes |
| Image Stabilizer | Yes ¹ |
| Image | |
| Codec Image Size (H x V) | 1920 x 1080, 1680 x 1056, 1280 x 1024, 1440 x 912, 1280 x 960, 1376 x 768, 1280 x 800, 1280 x 720, 1024 x 768, 1024 x 576, 800 x 600, 800 x 480, 768 x 576, 720 x 576, 704 x 576, 720 x 480, 640 x 480, 640 x 368, 384 x 288, 320 x 240, 320 x 192 |
| Video Compression Format | H.264, MPEG-4, JPEG |
| Codec Streaming Capability | Dual streaming ² |
| Maximum Frame Rate | H.264: 30fps (1920 x 1080) ³ MPEG-4: 30fps (1440 x 912) ³ JPEG: 30fps (1440 x 912) ³ |
| Audio | |
| Audio Compression Format | G.711/G.726 |
| Scene Analytics | |
| Intelligent Motion Detection | Yes |
| Rule-based Filter | DEPA |
| Network | |
| Protocols | IPv4, IPv6, TCP, UDP, ARP, ICMP, IGMP, HTTP, HTTPS, FTP, SMTP, DHCP, DNS, NTP, RTP/RTCP, RTSP, SNMP (MIB-2) |
| ONVIF Conformance | Yes (Profile S) |
| Number of Clients | 5 |
| Authentication | IEEE802.1X |
| Interface | |
| Line Output | Mini jack (monaural), Maximum output level: 1Vrms |
| Network Port | 10BASE-T / 100BASE-TX (RJ-45) |
| Sensor Input | x2 (normally open/normally closed configurable) |
| Alarm Output | x 1, 24 V AC/DC, 1 A (mechanical relay outputs electrically isolated from the camera) |
| Microphone Input | Mini jack (monaural) |
| Card Slots | SD Card x 1 |
| System Requirements | |
| Operating System | Windows XP (32 bit) Professional Edition Windows Vista (32 bit) Ultimate, Business Edition Windows 7 (32/64 bit) Ultimate, Professional Edition |
| Processor | Intel Core i7 2.8 GHz or higher |
| Memory | 2 GB or more |
| Web Browser | Microsoft Internet Explorer Ver. 7.0, Ver. 8.0, Ver. 9.0 Firefox Ver. 3.5 (Plug-in free viewer only) Safari Ver. 4.0 (Plug-in free viewer only) Google Chrome Ver.4.0 (Plug-in free viewer only) |
| General | |
| Power Requirements | AC 24 V |
| Power Consumption | 26 W max. |
| Operating Temperature | Maximum operating temperature: -5°C to +65°C* (23°F to 149°F*) Continuous operating temperature: -5°C to +60°C (23°F to 140°C) |
| Starting Temperature | 0°C to 65°C (32°F to 149°F) |
| Storage Temperature | -20°C to +60°C (-4°F to +140°F) |
| Operating Humidity | 20% to 80% |
| Storage Humidity | 20% to 95% |
| Vandal Resistant | IK10 |
| Dimensions (W x H x D) | ø 222.0 mm x 324.1 mm (ø 8 3/4 inches x 12 7/8 inches) |
| Mass | Approx. 4.3 kg (9 lb 8 oz) |
| Safety Regulations | JATE Technical standard (LAN) UL2044, IEC60950-1 (CB) VCCI (Class A), FCC (Class A), IC (Class A) Emission: EN55022 (Class A) + EN50130-4 Immunity: EN55022 (Class A) + EN55024 Emission: AS/NZS CISPR22 (Class A) C-tick Class A Russia GOST-R KCC |
| Ingress Protection | IP66 |
| Supplied Accessories | CD-ROM (User's guide, Supplied programs) (1), Installation manual (1), Dome cover (1), Top sunshade (1), Coupling (1), Wire fixing belt (1), Wire bracket (1), Bolts (2), Power supply connector (1), I/O harness (1), Harness band (1), Band mount (1) |

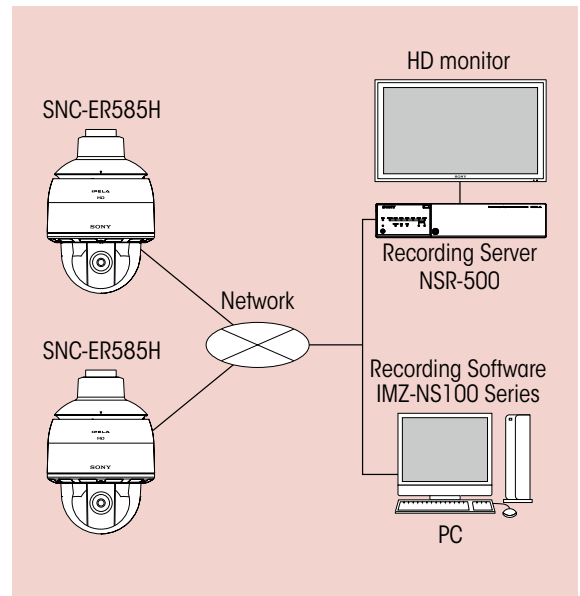
¹ Default setting: OFF

² Dual streaming (Any combination with JPEG/MPEG-4/H.264, including multiple streams of the same format)

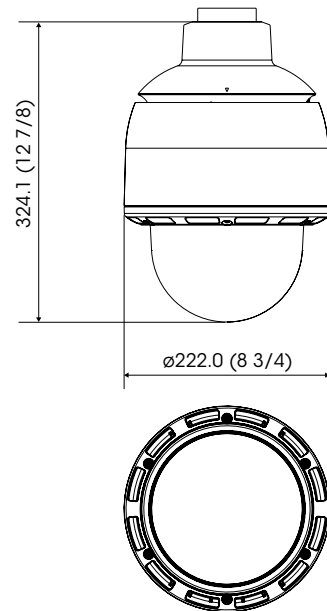
³ When using DynaView technology, the maximum frame rate becomes 15 fps

⁴ For less than two hours a day

SYSTEM CONFIGURATION



DIMENSIONS



Unit: mm (inches)

Distributed by

MK11014V1OH12NOV

©2012 Sony Corporation. All rights reserved.
 Reproduction in whole or in part without written permission is prohibited.
 Features and specifications are subject to change without notice.
 The values for mass and dimension are approximate.
 "Sony", "make.believe", "DynaView", "IPELA", "Exmor", and "DEPA" are trademarks of Sony Corporation.
 All other trademarks are the properties of their respective owners.